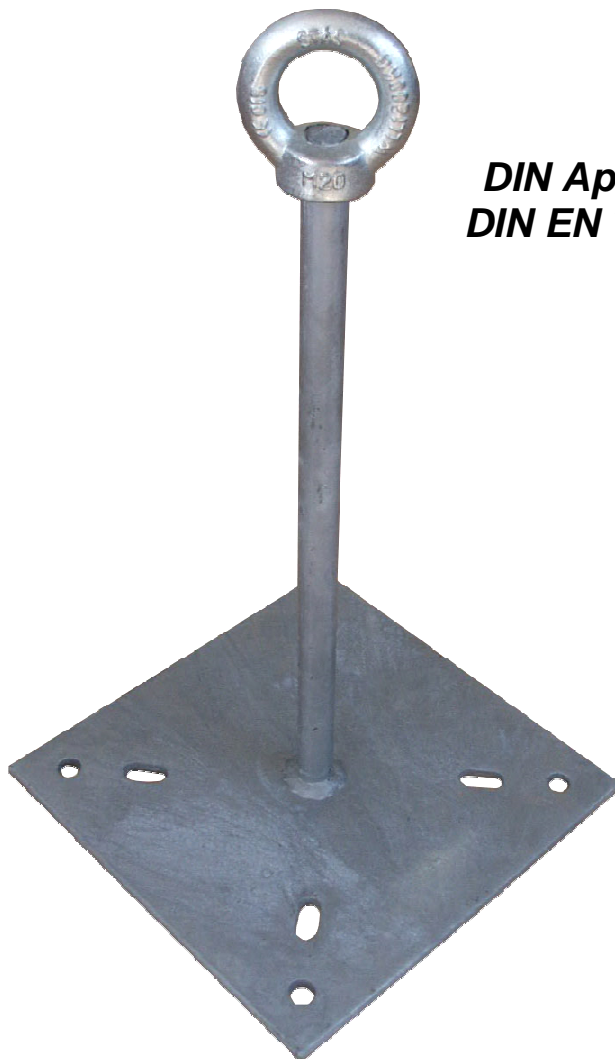


JUAL

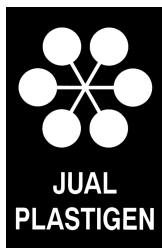
Safety Anchor – Ø20 mm



***DIN Approved:
DIN EN 795:1996***

Application: Permanently installed safety anchor for flat roofs

Material: Galvanized steel



Juelsminde Aluminium Industri A/S

Industrivej 7 – DK-7130 Juelsminde, Denmark

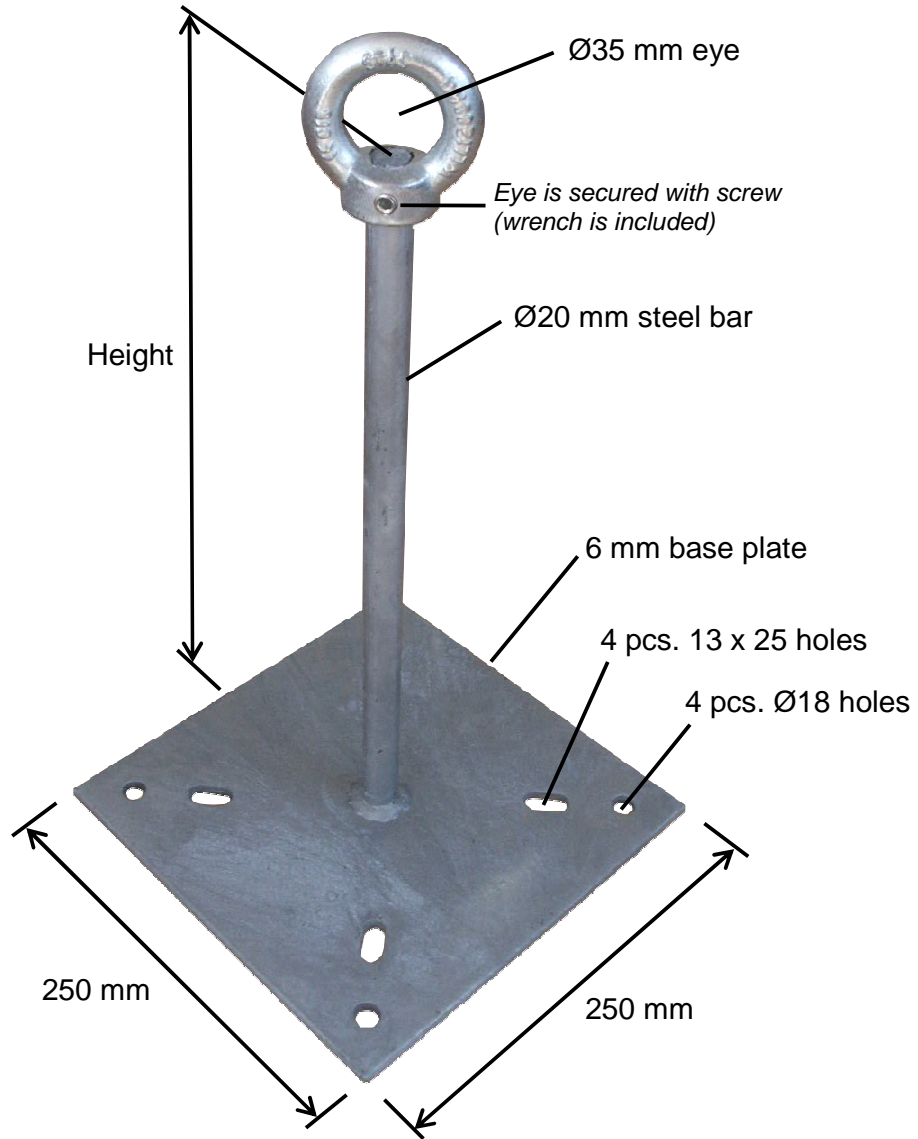
Tel. +45 76 83 11 33

Fax +45 75 69 37 37 / +45 75 69 35 47

E-mail: jual@jual.dk - www.jual.dk

Technical data:

JUAL Safety Anchor Ø20 mm



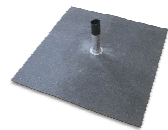
Models:

Product code	Height
93744	300 mm
93755	400 mm
93766	500 mm
93777	600 mm

Accessories:

JUAL flashing*

- Bitumen / steel for bitumen
- Membrane / steel for membrane



Guard plate kit

- 2 galvanized guard plates
- 4 threaded bolts
- 16 nuts / washers



**Shrinking (when heat is applied) rubber seal is included*