



TECHNICAL DATA SHEET

JUAL

UNIVERSAL LEAF GRATE



PRODUCT DESCRIPTION

JUAL Universal Leaf Grate

APPLICATIONS:

As universal leaf grate for all types of roof outlets.
Fits outlets: Ø50 – Ø160 and Ø110 – Ø250 (XL).

MATERIALS:

Stainless steel AISI 304 / EN 1.4401.

Mounting bracket in stainless steel with rubber coating.

Installation and application must be conducted in accordance with current industry standards.

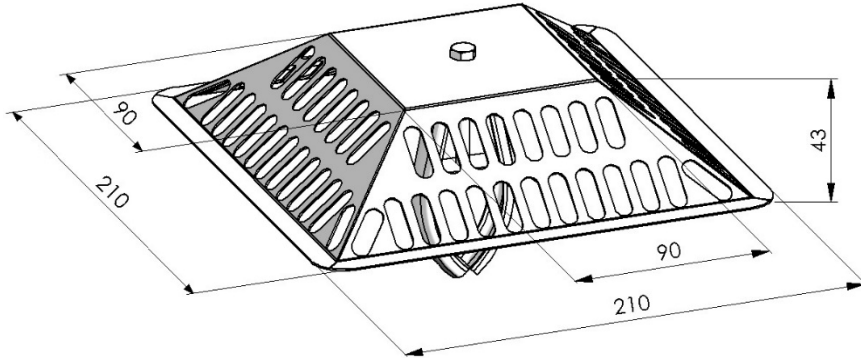
ARTICLE NUMBERS

TYPE	FITS OUTLETS	ARTICLE NO.
JUAL Universal leaf grates	Ø50 – Ø160 mm	72000
JUAL Universal leaf grates XL	Ø110 – Ø250 mm	72000XL

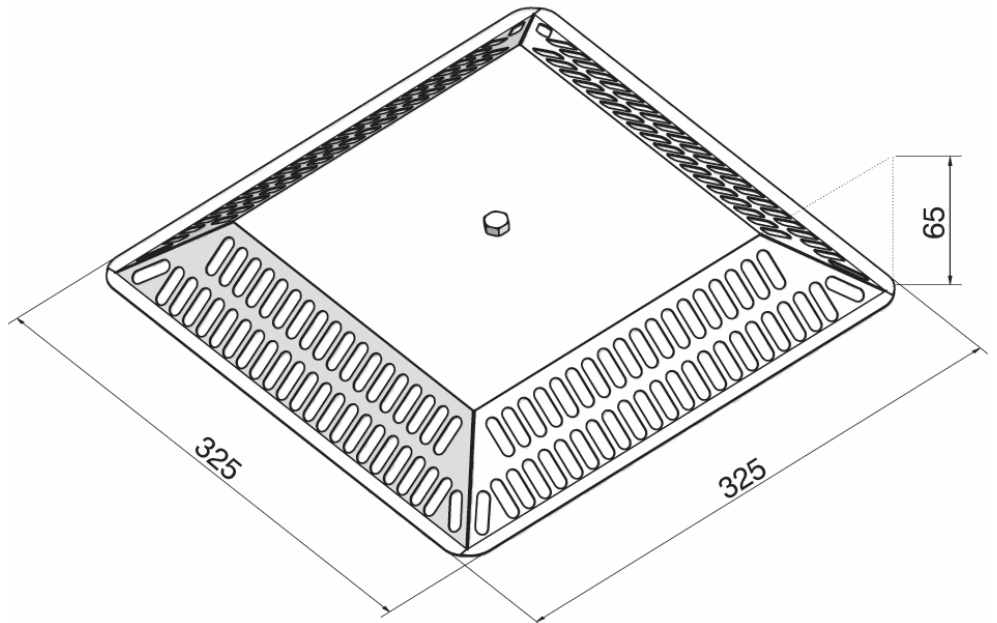


TECHNICAL DATA SHEET

TECHNICAL INFORMATION



JUAL Universal Leaf Grate



JUAL Universal Leaf Grate XL

Drainage capacity is available on www.jual.dk