

JUAL

SAFETY ANCHOR Ø20



JUAL Safety Anchor is tested and approved by Force Technology in accordance with EN 795

PRODUCT DESCRIPTION

JUAL Safety Anchor Ø20

APPLICATION:

JUAL Safety Anchor Ø20 is installed on flat roofs and used as permanent anchor point for personal safety equipment. The safety anchors and the correct use of personal fall protection equipment can prevent fall accidents from the roof.

Safety Anchor Ø20 is intended for **max. 1 person**

The JUAL Safety Anchor can be mounted on flat roofs with various kinds of structures:

- Concrete roof with or without insulation.
- Wooden roof with or without insulation.
- Trapezoid roof with insulation.

As well as other roof types.

MATERIALS:

Steel S235 – Hot-dip galvanized

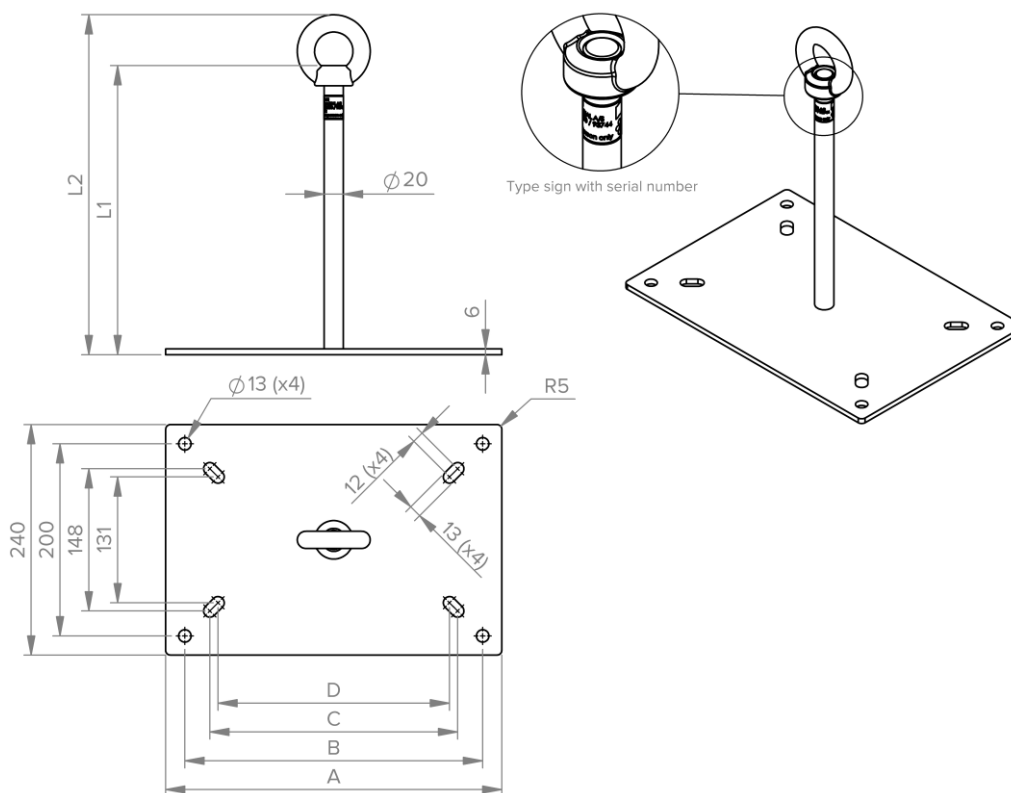
Eye bolt – Stainless steel AISI 304 – EN 1.4301

Installation and application must be conducted in accordance with current industry standards.



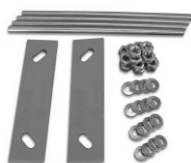
TECHNICAL DATA SHEET

TECHNICAL INFORMATION & ARTICLE NUMBERS

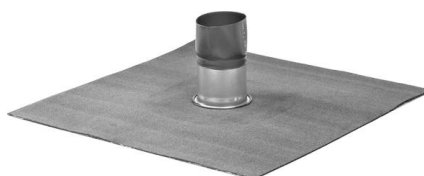


DESIGNATION:	ARTICLE NUMBER:	A:	B:	C:	D:	L1:	L2:
Safety Anchor Ø20 – 240x240 – L300	93744R	240	200	148	131	300	354
Safety Anchor Ø20 – 240x240 – L400	93755R	240	200	148	131	400	454
Safety Anchor Ø20 – 240x240 – L500	93766R	240	200	148	131	500	554
Safety Anchor Ø20 – 240x240 – L600	93777R	240	200	148	131	600	654
Safety Anchor Ø20 – 350x240 – L300	9310300	350	310	258	241	300	354
Safety Anchor Ø20 – 350x240 – L400	9310400	350	310	258	241	400	454
Safety Anchor Ø20 – 350x240 – L500	9310500	350	310	258	241	500	554
Safety Anchor Ø20 – 350x240 – L600	9310600	350	310	258	241	600	654

RELATED PRODUCTS



Safety Anchor Accessories set
 Set consisting of 2 counter-plates,
 4 threaded rods, nuts and washers
 Article number: **93799**



Adaptive flashing for Safety anchor
 With integrated membrane
 Article number SBS: **71027-10-101**
 Article number Derbigum: **71027-10-103**
 Article number foil: **71027-10-2xx**



Adaptive flashing for Safety anchor
 PLASTIGEN
 Article number Black PAG (for bitumen): **93811**
 Article number PVC (for PVC foil): **93833**